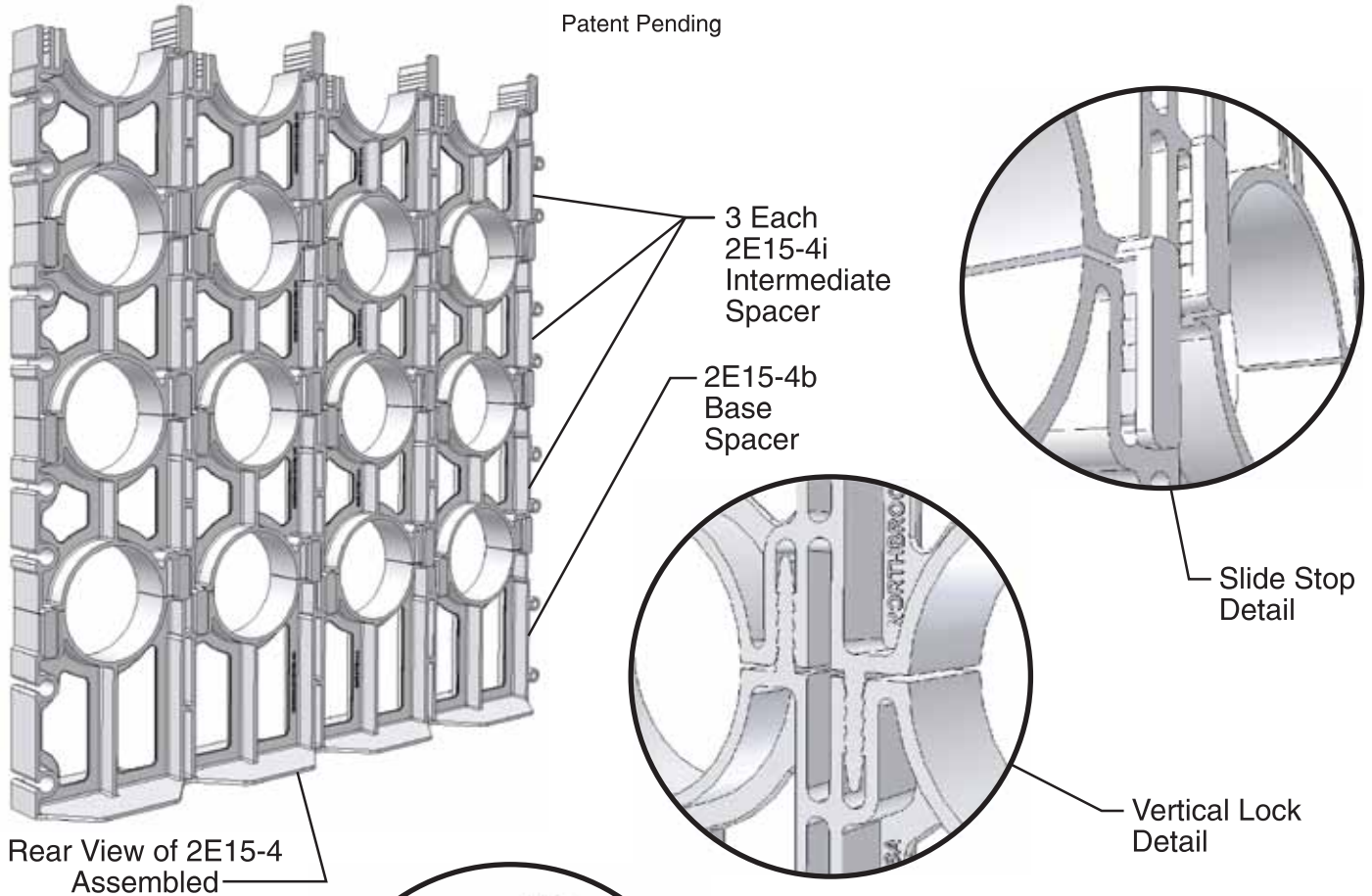
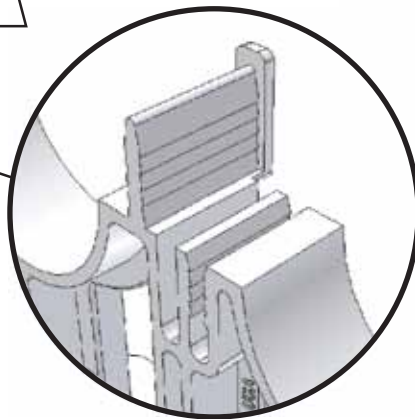


# 2E15-4 *EASYWAY* GRID SPACER

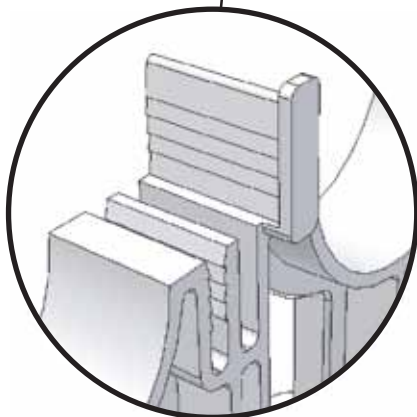
Patent Pending



Front Detail of Vertical Lock and Slide Stop



Rear Detail of Vertical Lock and Slide Stop



## **EASYWAY** FEATURES:

- Accommodates 2" IPS PVC, HDPE and FPE conduit with a 1.5" vertical and horizontal conduit to conduit separation
- Eliminates spacer pre-assembly labor
- Incorporates *EASYWAY* offset slide stops that insure assembled spacer grid integrity
- Precision *EASYWAY* multi-tooth vertical locks
- Top spacer acts as a gage to insure proper concrete cover of the duct bank
- Two horizontal, locking angle, interlocks on each spacer
- Manufactured from prime virgin high impact material

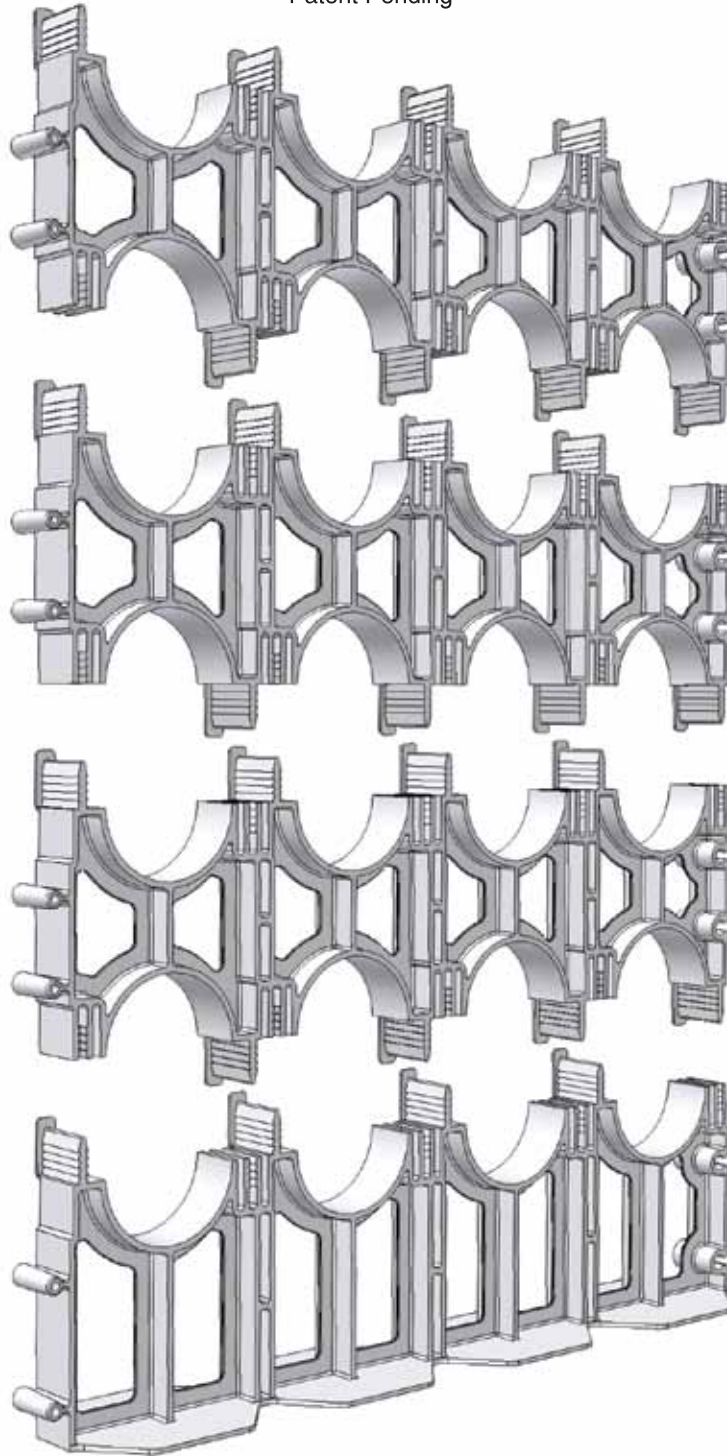
## **EASYWAY** APPLICATIONS:

The *EASYWAY* GRID SPACER is used to support power and communications conduits prior to concrete encasement. Applications include concrete encased duct banks for smart highways, airport runways, fiber optics, etc.



# 2E15-4 *EASYWAY* GRID SPACER

Patent Pending



Exploded Front View  
of  
2E15-4 *EASYWAY*

